

Point Source LED

Features:

- High Reliability in Demanding Environments
- Emitting Window Diameter 150 μ m

Applications:

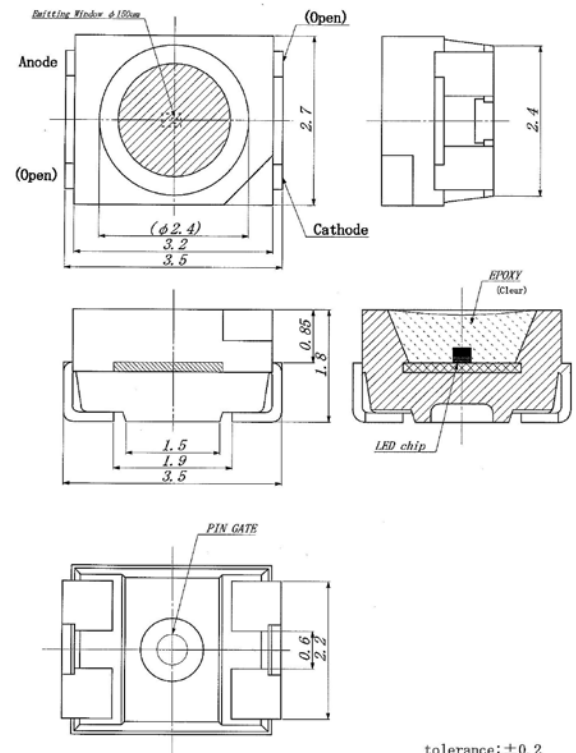
- Optical Switches
- Edge Sensing



Absolute Maximum Ratings (Ta=25°C)

Items	Symbol	Ratings	Unit
Forward Current (DC)	IF	60	mA
Forward Current (Pulse)*1	IFP	400	mA
Reverse Voltage	VR	5	V
Power Dissipation	PD	110	mW
Operating Temperature	Topr	-20 ~ +85	°C
Storage Temperature	Tstg	-30 ~ +100	°C

*1: Tw ≤ 100 μ sec (4% Duty)



tolerance: ±0.2

Electrical & Optical Characteristics (Ta = 25°C)

Items	Symbol	Conditions	Min	Typ	Max	Unit
Power Output	PO	IF=20mA	2.0	3.0	--	mW
Power Output*1	PO	IFP=400mA	(25)	--	--	mW
Forward Voltage	VF	IF=20mA	--	1.65	2.0	V
Reverse Current	IR	VR=5V	--	--	10	μ A
Peak Wavelength	λ_p	IF=20mA	--	850	--	nm
Spectral Line Half Width	$\Delta\lambda$	IF=20mA	--	40	--	nm
Half Intensity Beam Angle	θ	IF=20mA	--	±50	--	deg.

*1: Tw ≤ 100 μ sec (4% Duty)